

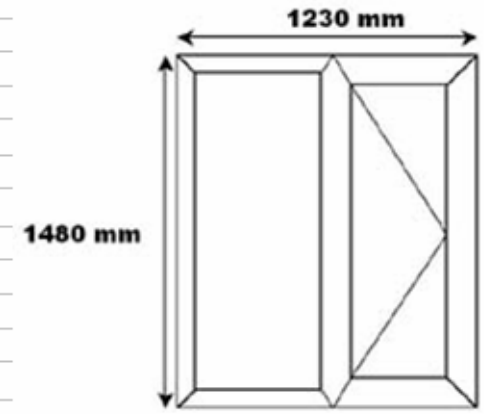
# BFRC Energy Rating Calculation Spreadsheet



	Frame Dimensions		Thermal Conductivity		
	Projected Frame Height (mm)	Sight Line Height Worst Case (mm)	$U_{\text{frame+panel}}$	Panel Thickness (mm)	$U_{\text{frame+glass}}$
Fixed Outer Frame	60	60	1.107	28	1.3381
Vent Frame (Vertical)	107	107	1.2156	28	1.4076
Vent Frame (Horizontal)	107	107	1.1792	28	1.3693
Transom / Mullion	113	113	1.1963	28	1.4292

**OVOLO SUITE**  
**INTERMEDIATE (60mm) OUTER FRAME**  
 4mm OPTIWHITE  
 20mm ARGON  
 4mm PLANITHERM TOTAL 1.1  
 EDGETECH SUPER SPACER

Overall Window Dimensions (mm)		Glazing Properties	
Height	1480	$U_g$ (Centre Pane Value)	1.19
Width	1230	Solar Heat Gain Coefficient ( $g_{\text{glass}}$ )	0.68
		(Normal Value)	
Air Leakage Factor			
$L_{50}$ value	0.1	(Must be obtained from relevant accredited test report)	



Results	Thermal Transmittance	Solar Factor	Effective Air Leakage
	$U_{\text{window}}$ ( $W/m^2K$ )	$g_{\text{window}}$ ( $Wm^2K$ )	$L_{\text{factor}}$ ( $Wm^2K$ )
	1.4	0.42	0.00
	Energy Index	Energy Rating Band	
	-4	B	