

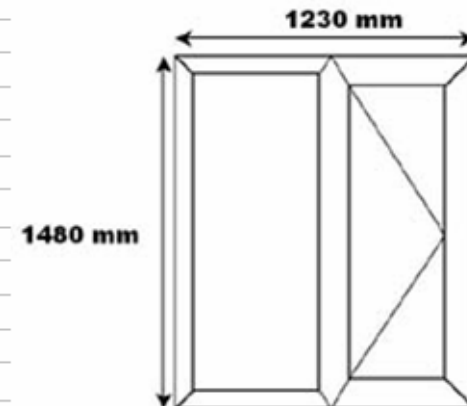
BFRC Energy Rating Calculation Spreadsheet



	Frame Dimensions		Thermal Conductivity		
	Projected Frame Height (mm)	Sight Line Height Worst Case (mm)	Insulation Panel		Glazed
$U_{\text{frame+panel}}$			Panel Thickness (mm)	$U_{\text{frame+glass}}$	
Fixed Outer Frame	60	60	1.107	28	1.3381
Vent Frame (Vertical)	107	107	1.2156	28	1.4076
Vent Frame (Horizontal)	107	107	1.1792	28	1.3693
Transom / Mullion	113	113	1.1963	28	1.4292

OVOLO SUITE
 INTERMEDIATE (60mm) OUTER FRAME
 4mm FLOAT
 20mm ARGON
 4mm PLANITHERM TOTAL 1.1
 EDGETECH SUPER SPACER

Overall Window Dimensions (mm)		Glazing Properties	
Height	1480	U_g (Centre Pane Value)	1.19
Width	1230	Solar Heat Gain Coefficient (g_{glass})	0.64
		(Normal Value)	
Air Leakage Factor			
L_{50} value	0.1	(Must be obtained from relevant accredited test report)	



Results	Thermal Transmittance	Solar Factor	Effective Air Leakage
	U_{window} (W/m ² K)	g_{window} (Wm ² K)	L_{factor} (Wm ² K)
	1.4	0.40	0.00
	Energy Index	Energy Rating Band	
	-8	B	