

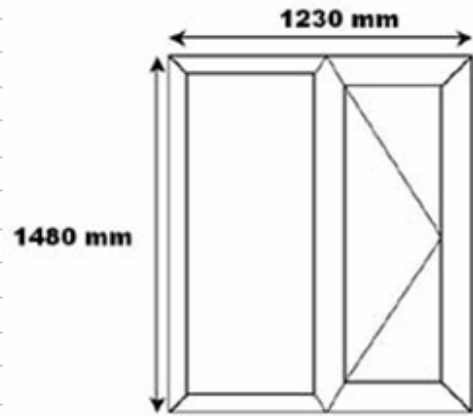
BFRC Energy Rating Calculation Spreadsheet



	Frame Dimensions		Thermal Conductivity		
	Projected Frame Height (mm)	Sight Line Height Worst Case (mm)	$U_{\text{frame+panel}}$	Panel Thickness (mm)	$U_{\text{frame+glass}}$
Fixed Outer Frame	70	70	1.152	28	1.336
Vent Frame (Vertical)	122	122	1.2359	28	1.4225
Vent Frame (Horizontal))	122	122	1.167	28	1.3524
Transom / Mullion	128	128	1.2025	28	1.4299

TILT & TURN - OVOLO SUITE
 LARGE (70mm) OUTER FRAME
 4mm FLOAT
 20mm ARGON
 4mm PLANITHERM TOTAL 1.1
 EDGETECH SUPER SPACER

Overall Window Dimensions (mm)		Glazing Properties	
Height	1480	U_g (Centre Pane Value)	1.19
Width	1230	Solar Heat Gain Coefficient (g_{glass})	0.64
Air Leakage Factor		(Normal Value)	
L_{50} value	2.1	(Must be obtained from relevant accredited test report)	



Results	Thermal Transmittance	Solar Factor	Effective Air Leakage
	U_{window} (W/m^2K)	g_{window} (Wm^2K)	L_{factor} (Wm^2K)
	1.4	0.37	0.03
	Energy Index	Energy Rating Band	
	-18	C	